

# MIROR FLUORESCENT HI-BAY

MX5  
T5

- ◆ T5 lamps maintain over 95% of their original output
- ◆ Consumes 50% of the energy of a 400 watt metal halide and delivers comparable light levels, when replaced one-for-one
- ◆ For additional lighting control and energy savings - occupancy sensor is available
- ◆ Just under 4" tall - allows placement near the ceiling for the optimal usage of space
- ◆ Hinged down reflector
- ◆ Electronic ballast standard
- ◆ All reflective surfaces constructed of enhanced specular anodized aluminum
- ◆ Housing constructed of heavy gauge die-formed cold rolled steel
- ◆ Available with Y-hanger and chain, Gripple Hang-Fast Suspension, or 3/4" hub and splice box
- ◆ UL listed for U.S. and Canada
- ◆ Optical Efficiency = 94.4%

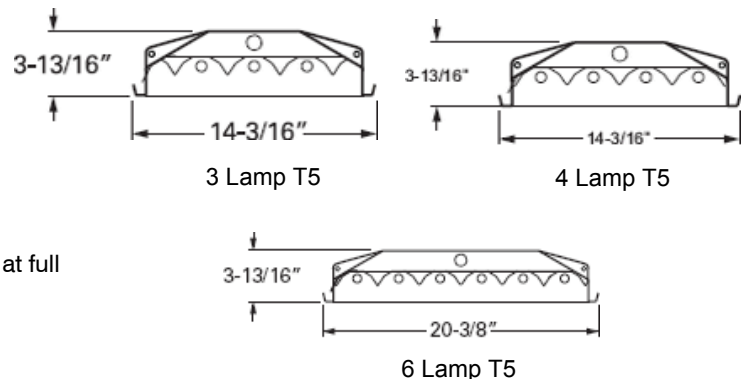
CRI = 85, High output lamps can be requested

High Frequency Electronic Ballast > 40 kHz

5 Year Ballast Warranty

High Power Factor > 98%

Ballast for 4FT lamps the total harmonic distortion < 20% at full light output



## ORDERING GUIDE

<b>MX</b>	<b>5</b>	<b>-</b>	<b>4L</b>	<b>-</b>	<b>OS</b>	<b>-</b>	<b>4B</b>	<b>-</b>	<b>UNV</b>
SERIES	TYPE		TOTAL LAMPS		OPTIONS		BALLAST TYPE		VOLTAGE

### SERIES

MX MIROR Standard Fixture

### TYPE

5 54 watt T5HO

### TOTAL LAMPS (ship w/ fixtures - 841K)

3L 3 lamps  
4L 4 lamps  
6L 6 lamps

### ACCESSORIES (ship separately)

W4 Wireguard  
Y Y-hanger (1 pair)  
Y3 Y-hanger & 3' chain (1 pair)  
LENS4 Clear acrylic lens, 4 lamp  
LENS6 Clear acrylic lens, 6 lamp  
SB 3" spacer bracket (1 pair)  
G10 Gripple Hang-Fast Suspension, 10' length (1 pair)

### OPTIONS (ship with fixture)

OS Occupancy Sensor\*  
6C Cord, 6' length, black  
6C15TP 6' black cord, 15 amp, NEMA twistlock plug (voltage specific)  
6C20TP 6' black cord, 20 amp, NEMA twistlock plug (voltage specific)  
HUB 3/4" cast iron hub and junction box  
HH Hub mount and hook  
WREFL White reflector  
F54/850 Fluorescent lamp, 54 watt, 5000K  
E5 Emergency ballast, T5

### BALLAST TYPE

3B (1) 3 lamp ballast  
4B (1) 4 lamp ballast  
21B (1) 2 lamp & (1) lamp ballast (optional)  
22B (2) 2 lamp ballasts  
42B (1) 4 lamp & (1) 2 lamp ballast

### VOLTAGE

120 120V  
208 208V  
240 240V  
277 277V  
UNV 120 - 277V  
347\*\* 347V  
480\*\* 480V



\* Fixtures equipped with occupancy sensor must have a specified input voltage  
\*\* Only available in 2 lamp ballasts