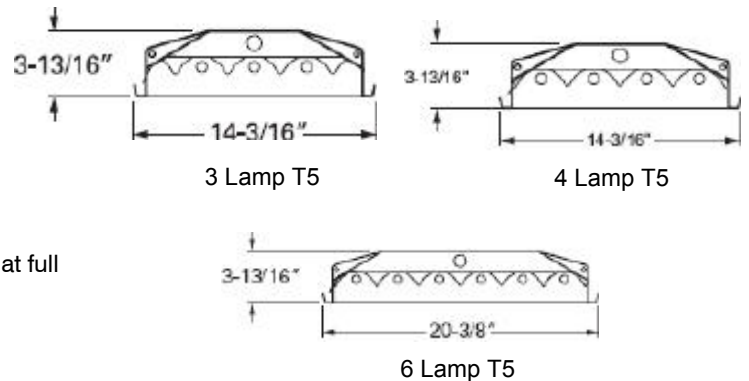


MIROR FLUORESCENT HI-BAY

MX5
T5

- ◆ T5 lamps maintain over 95% of their original output
- ◆ Consumes 50% of the energy of a 400 watt metal halide and delivers comparable light levels, when replaced one-for-one
- ◆ For additional lighting control and energy savings - occupancy sensor is available
- ◆ Just under 4" tall - allows placement near the ceiling for the optimal usage of space
- ◆ Hinged down reflector
- ◆ Electronic ballast standard
- ◆ All reflective surfaces constructed of enhanced specular anodized aluminum
- ◆ Housing constructed of heavy gauge die-formed cold rolled steel
- ◆ Available with Y-hanger and chain, Gripple Hang-Fast Suspension, or 3/4" hub and splice box
- ◆ UL listed for U.S. and Canada
- ◆ Optical Efficiency = 94.4%
- ◆ CRI = 85, High output lamps can be requested
- ◆ High Frequency Electronic Ballast > 40 kHz
- ◆ 5 Year Ballast Warranty
- ◆ High Power Factor > 98%
- ◆ Ballast for 4FT lamps the total harmonic distortion < 20% at full light output



ORDERING GUIDE

MX	5	-	4L	-	OS	-	4B	-	UNV
SERIES	TYPE		TOTAL LAMPS		OPTIONS		BALLAST TYPE		VOLTAGE

SERIES

MX MIROR Standard Fixture

TYPE

5 54 watt T5HO

TOTAL LAMPS (ship w/ fixtures - 841K)

3L 3 lamps
 4L 4 lamps
 6L 6 lamps

ACCESSORIES (ship separately)

W4 Wireguard
 Y Y-hanger (1 pair)
 Y3 Y-hanger & 3' chain (1 pair)
 LENS4 Clear acrylic lens, 4 lamp
 LENS6 Clear acrylic lens, 6 lamp
 SB 3" spacer bracket (1 pair)
 G10 Gripple Hang-Fast Suspension, 10' length (1 pair)

OPTIONS (ship with fixture)

OS Occupancy Sensor*
 6C Cord, 6' length, black
 6C15TP 6' black cord, 15 amp, twistlock plug (voltage specific)
 6C20TP 6' black cord, 20 amp, twistlock plug (voltage specific)
 HUB 3/4" cast iron hub and junction box
 HH Hub mount and hook
 WREFL White reflector
 F54/850 Fluorescent lamp, 54 watt, 5000K
 E5 Emergency ballast, T5

BALLAST TYPE

3B (1) 3 lamp ballast
 4B (1) 4 lamp ballast
 21B (1) 2 lamp & (1) lamp ballast (optional)
 22B (2) 2 lamp ballasts
 42B (1) 4 lamp & (1) 2 lamp ballast

VOLTAGE

120 120V
 208 208V
 240 240V
 277 277V
 UNV 120 - 277V
 347** 347V
 480** 480V

* Fixtures equipped with occupancy sensor must have a specified input voltage
 ** Only available in 2 lamp ballasts

